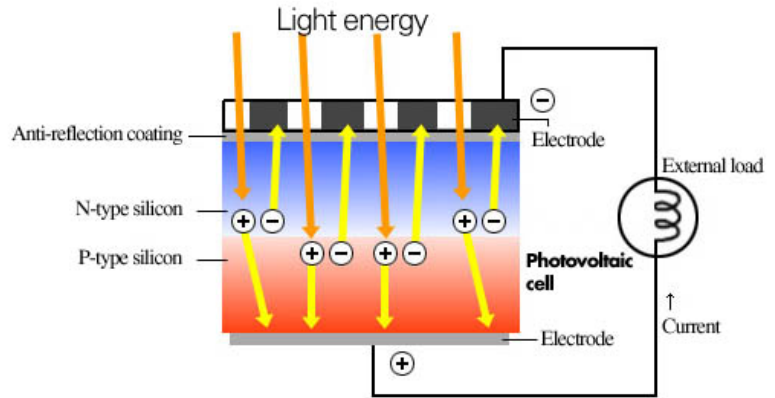


This comprehensive 40-hour entry-level PV Installation course is designed to meet the NABCEP entry-level certificate program and national standards. This course covers PV Markets and Applications, Safety Basics, Electricity Basics, Solar Energy Fundamentals, PV Module Fundamentals, System Components, PV System Sizing Principles, PV System Electrical Design, PV System Mechanical Design, Performance Analysis, Maintenance and Troubleshooting.

SOLAR PHOTOVOLTAIC INSTALLATION

A photovoltaic cell generates electricity when irradiated by sunlight.



HURRY!!! CLASS SIZE LIMITED TO 15
Includes real life hands-on practice!!!

WHEN: September 20th—24th, 2010
WHERE: SBE Training Center
TIME: 8:00AM –5:00PM
RATE: \$500 SBE Members
 \$750 Prof. & Assoc. Members
 \$1,200 Non-Members



Currently seeking NABCEP approval to offer Entry Level Installer Certification Exam.

#

To register simply fill in this form and **FAX BACK TO 222-1918** or Complete this form and mail along with your check to:
 SBE Training Center
 2985 Innsbruck Drive
 Redding, CA 96003
 If you have any questions please call (530) 222-1917

Name _____
 Company _____
 Address _____
 Phone _____
 Method of Payment
 Bill my SBE Account MasterCard
 Check Enclosed Visa
 Credit Card # _____ Exp. date _____
 Signature _____

Attendees:

 # _____
 # _____
 # _____
 # _____
 # _____
 # _____
 # _____



REGISTRATION / CANCELLATION POLICIES

Non-Members MUST pay in advance to reserve their space(s). All registration is on a 1st come 1st serve basis until the seminar is full. Late cancellation fees will be billed at 50% of the seminar price. To avoid being billed you must cancel no later than 5 business days prior to training by 5:00PM. **LATE CANCELLATIONS = NO REFUNDS ~ NO CREDITS ~ NO ROLLING FORWARD ~ NO EXCEPTIONS.** The SBE Training Center reserves the right to cancel class due to low enrollment.

To be removed from our contact list, please call 222-1917 or e-mail removeme@shastabe.com